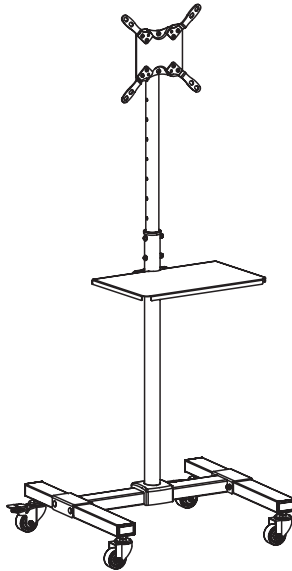


Black Mobile TV Cart with Storage Shelf

Instruction Manual



SKU: STAND-TV07W-S



Scan the QR code with your mobile device or follow the link for helpful videos and specifications related to this product.

<https://vivo-us.com/products/stand-tv07w-s>

GET IN TOUCH | Monday-Friday from 7:00am-7:00pm CST



help@vivo-us.com



www.vivo-us.com
Chat live with an agent!



309-278-5303

⚠️ WARNING!

If you do not understand these directions, or if you have any doubts about the safety of the installation, please call a qualified technician. Check carefully to make sure there are no missing or defective parts. Improper installation may cause damage or serious injury. Do not use this product for any purpose that is not explicitly specified in this manual. Do not exceed weight capacity. We cannot be liable for damage or injury caused by improper mounting, incorrect assembly or inappropriate use.

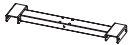



























⚠️ TIPOVER WARNING

SERIOUS OR FATAL CRUSHING INJURIES CAN OCCUR FROM TIPOVER. TO HELP PREVENT TIPOVER:

- NEVER ALLOW CHILDREN TO CLIMB, STAND, HANG, OR PLAY ON ANY PART OF TV OR TV CART.
- USE TIPOVER RESTRAINT OR ANCHOR STAND TO WALL

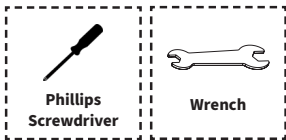
USE OF TIPOVER RESTRAINTS MAY ONLY REDUCE, BUT NOT ELIMINATE RISK OF TIPOVER.

PACKAGE CONTENTS

					
A (x1) Base	B (x2) Feet	C (x1) Center Pole	D (x1) VESA Plate	E (x2) Caster	F (x2) Locking Caster
					
G (x2) VESA Adapter	H (x2) VESA Adapter	I (x1) Plastic Cover	J (x1) Shelf	K (x1) Shelf Bracket	L (x8) M5x10mm Bolt
					
M (x8) M5 Lock Nut	N (x5) M6x60mm Carriage Bolt	O (x5) D6 Washer	P (x5) M6 Lock Nut	Q (x1) M6 Flange Nut	R (x4) M6x12mm Bolt
					
S (x2) M6x60 Socket Head Bolt	T (x1) 4mm Allen Wrench	U (x1) 5mm Allen Wrench	V (x1) Wrench	M-A (x4) M4x14	M-B (x4) M5x14
					
M-C (x4) M6x14	M-D (x4) M8x20	M-E (x4) D5 Washer	M-F (x4) D8 Washer	M-G (x8) Spacer	

NOTE: SOME HARDWARE INCLUDED MAY NOT BE USED

TOOLS NEEDED



DO NOT EXCEED WEIGHT CAPACITY.
Failure to do so may result in serious injury.



TV



SHELF

! WARNING: CHOKING HAZARD

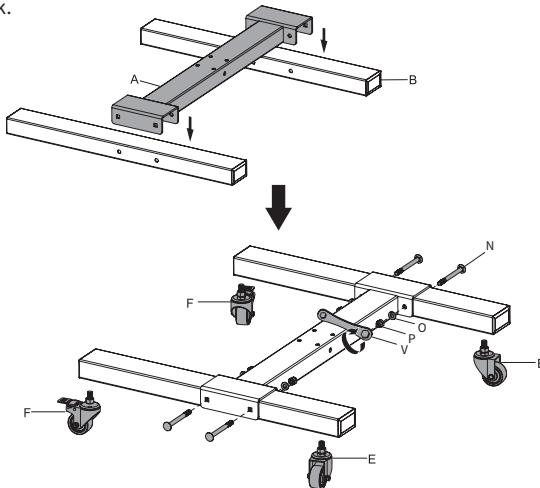
SMALL PARTS - NOT FOR CHILDREN UNDER 3 YEARS. ADULT SUPERVISION IS REQUIRED.

ASSEMBLY STEPS

STEP 1

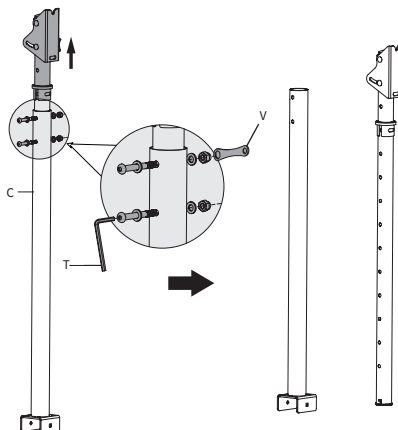
Attach base (A) to feet (B) using x4 M6x65mm carriage bolts (N), x4 D6 washers (O), and x4 M6 lock nuts (P). Tighten using the provided wrench (V). Screw casters (E, F) into the base.

NOTE: You will need an adjustable wrench or a 17mm (11/16") wrench to tighten the casters. Wrench included will not work.



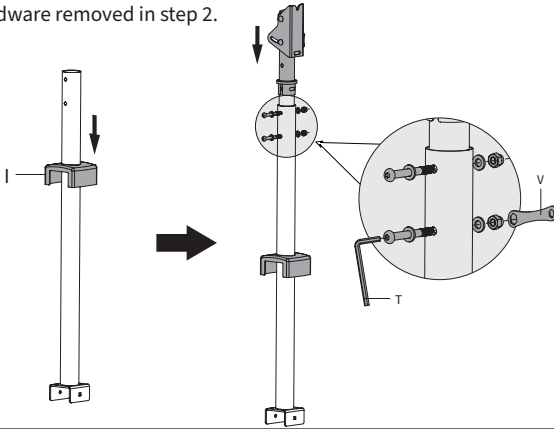
STEP 2

Remove the two bolts, four washers, and two nuts from the center pole (C) using the 4mm Allen wrench (T) and the wrench (V). Separate the two halves.



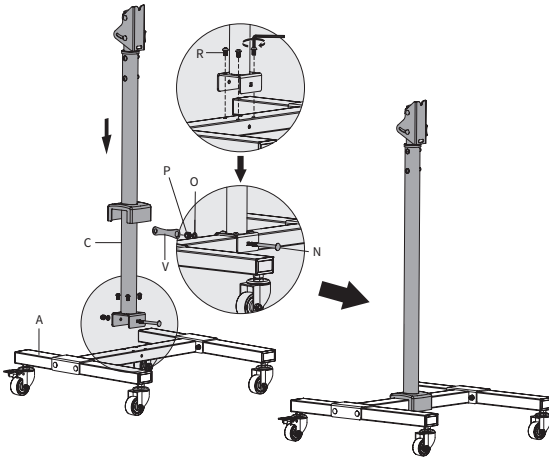
STEP 3

Slide the plastic cover (I) over the pole (C). Slide the top half of the pole back into the bottom half and secure using the hardware removed in step 2.



STEP 4

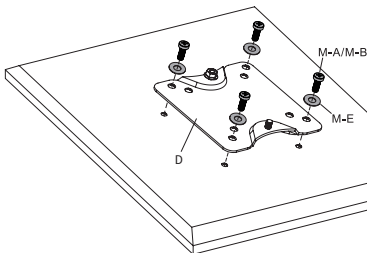
Attach the center pole (C) to the base (A) using x4 M6x12mm bolts (R) and 4mm Allen wrench (T) to secure the top. Then insert x1 M6x65mm carriage bolt (N) through the front of the base, D6 washer (O) and M6 lock nut (P). Tighten using the wrench (V).



STEP 5

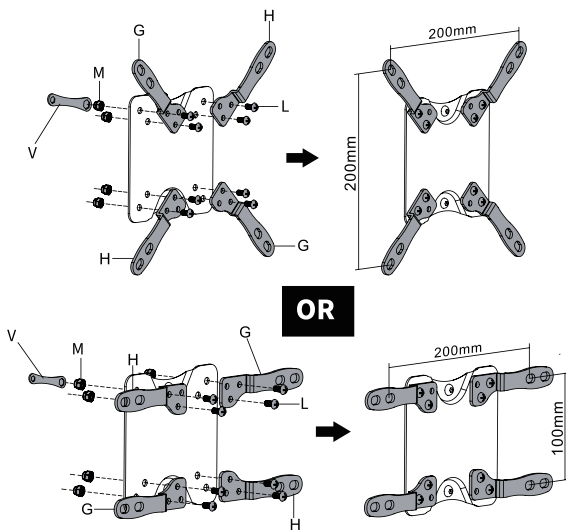
OPTION A: VESA Plate Only

Use (M-A or M-B) bolts along with (M-E) washers to attach the VESA plate (D) without the adapters to the TV monitor. Make sure the "VIVO" logo on the front is right side up.

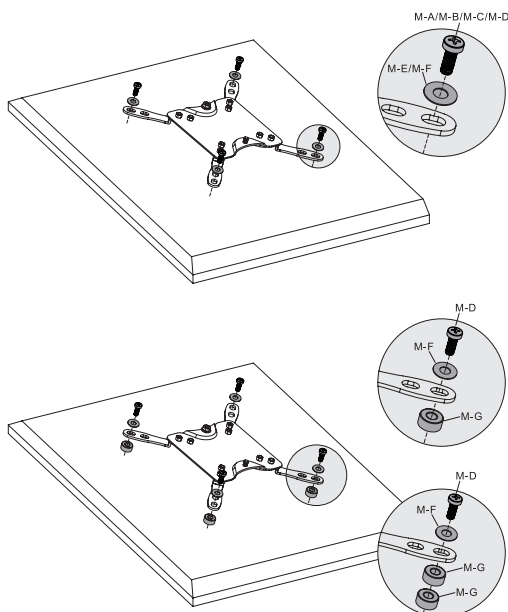


OPTION B: VESA Plate with Adapters

For TVs with VESA mounts at 200mm x 200mm or 200mm x 100mm, VESA adapters (**G, H**) are required. Attach adapters to VESA plate (**D**) using x8 M5x10mm bolts (**L**) and x8 M5 lock nuts (**M**). Tighten using the wrench (**V**) and a Phillips screwdriver.



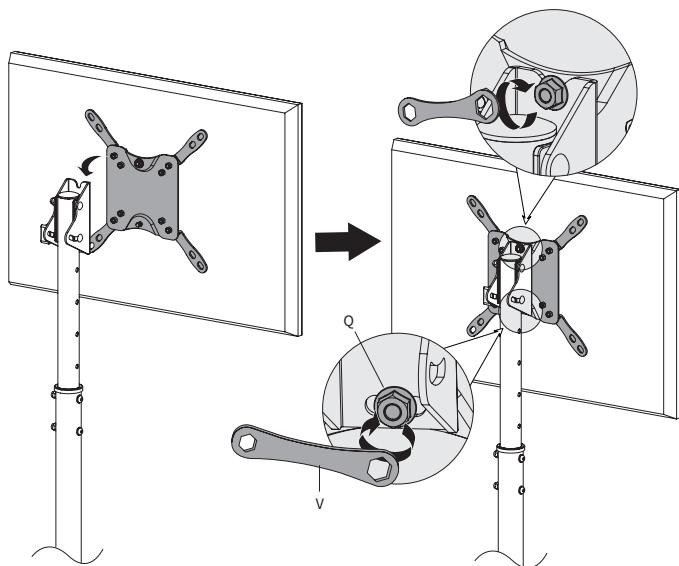
Use bolts (**M-A-M-D**) along with washers (**M-E, M-F**) to secure VESA plate with the adapters to the back of your television. Make sure the “VIVO” logo on the front is right side up. For a curved television, spacers (**M-G**) may be required.



STEP 6



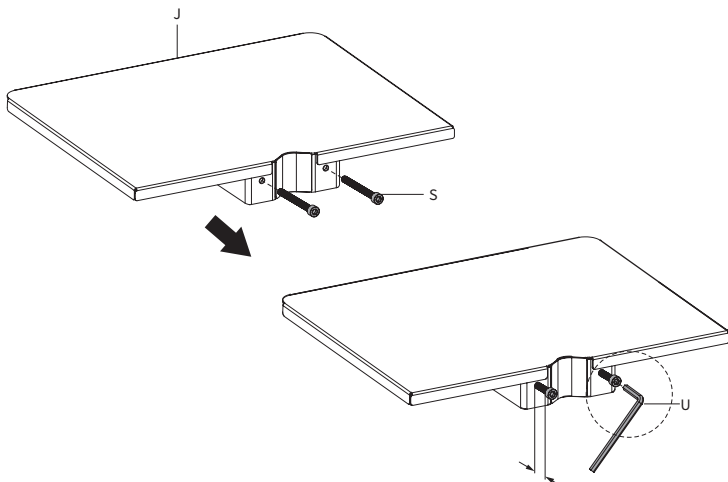
To attach the TV to the stand, loosen the nut at the top of the VESA plate and slide into the slot on the top of the mounting plate on the pole. Install M6 flange nut (**Q**) to the lower screw post, and secure the top and bottom of the VESA plate to the stand by tightening both nuts using the wrench (**V**).



STEP 7

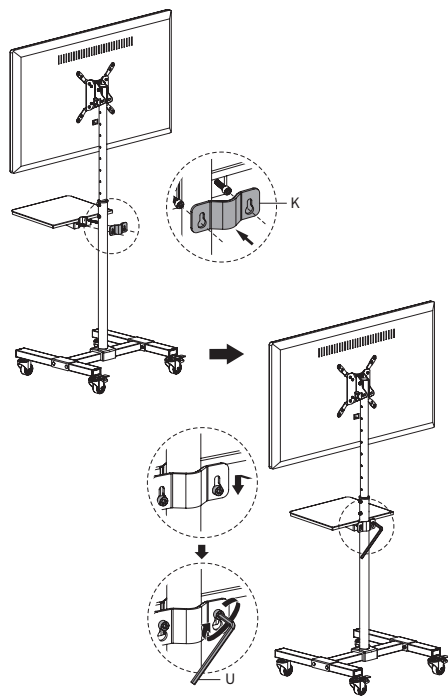
Remove clear protective film from the shelf clamp plate (**J**). Partially insert M6x60 socket head bolts (**S**) into the shelf using the 5mm Allen wrench (**U**) as shown.

NOTE: Do not fully tighten screws at this time.

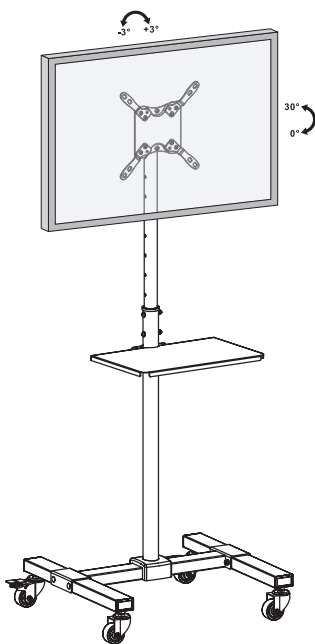


STEP 8

Remove clear protective film from the shelf bracket (**K**). Hold the shelf (**J**) to the pole (**C**). Place the mounting bracket (**K**) over the screw heads, then tighten with the 5mm Allen wrench (**U**).



Adjust as Desired





Open **Monday - Friday 7:00am - 7:00pm** CST,
our dedicated support team can offer immediate assistance with rapid response times. If any parts are received damaged or defective, please contact us. We are happy to replace parts to ensure you have a fully functioning product.

 309-278-5303 **AVG. RESOLUTION TIME** (*within office hrs*): **5M 4S**

 www.vivo-us.com **AVG. RESOLUTION TIME** (*within office hrs*): **< 15 M**
Chat live with an agent!

 help@vivo-us.com **AVG. RESPONSE TIME** (*within office hrs*): **1HR 8M**
- 23% within < 15m
- 38% within < 30m
- 61% within < 1hr
- 83% within < 2hr
- 92% within < 3hr